

RG - AP220- E (M)

M(%)

Zf gpi`^_k{ `)' (/

copyright © 2018



”

<http://www.ruijie.com.cn/>

”

<http://webchat.ruijie.com.cn>

”

<http://www.ruijie.com.cn/service.aspx>

” 7y 24

4008-111-000

”

<http://bbs.ruijie.com.cn/portal.php>

”

1

RG-AP220-E(M)

AP Fit AP

WS

AP FAT AP

1.1 RG-AP220-E(M) V1.XX

		RG-AP220-E(M) V1.XX					
		1	combo	1	10/100/1000M	RJ45	1 console
		6 SMA					
		AC 90-264V/50-60Hz					
		DC 48V/0.4Amax					
	PoE						

	10mW
	0 50
	-40 70

EMC	GB9254-2008 CLASS B
	GB4943-2011

u

RG-AP220-E(M)-V2 AP 1 Console 1 10/100/1000Base-T PoE 1

- | | |
|-----------------------|---------------------|
| 1. | 3. Console (RS-232) |
| 2. 10/100/1000 Base-T | 4. |

1-3 RG-AP220-E(M) -V2



- | | |
|--------------|--------------------|
| 1. Status AP | 3. Radio 1 Radio 1 |
| 2. Ethernet | 4. Radio 2 Radio 2 |

RG-AP220-E(M) -V2 48V PoE

48V DC

<0.25A

;	PoE	PoE	RG-S5750P-24GT/12SFPT	RG-S3760E-24P	u
	PoE				u

RG-AP220-E(M)-V2

10cm

	Status		AP
			AP
			AP
Radio 1	Radio 1		Radio1
			Radio1
			Radio1
Radio 2	Radio 2		Radio2
			Radio2
			Radio2
	Ethernet		link down
			link up

2.1.1.3

”

”

”

RG-AP220-E(M)

10°C-45°C	-10°C-50°C	40%-65%	10%-90%
t		1.5M	0.4M
u			
	48	15	u

2.1.1.4

(m)	0.5	1	3	5
/	1.4×10^7	7×10^5	2.4×10^5	1.3×10^5

	(mg / m ³)	(mg / m ³)
SO ₂	0.2	1.5
H ₂ S	0.006	0.03
NO ₂	0.04	0.15
NH ₃	0.05	0.15
Cl ₂	0.01	0.3

2.1.1.5

AP

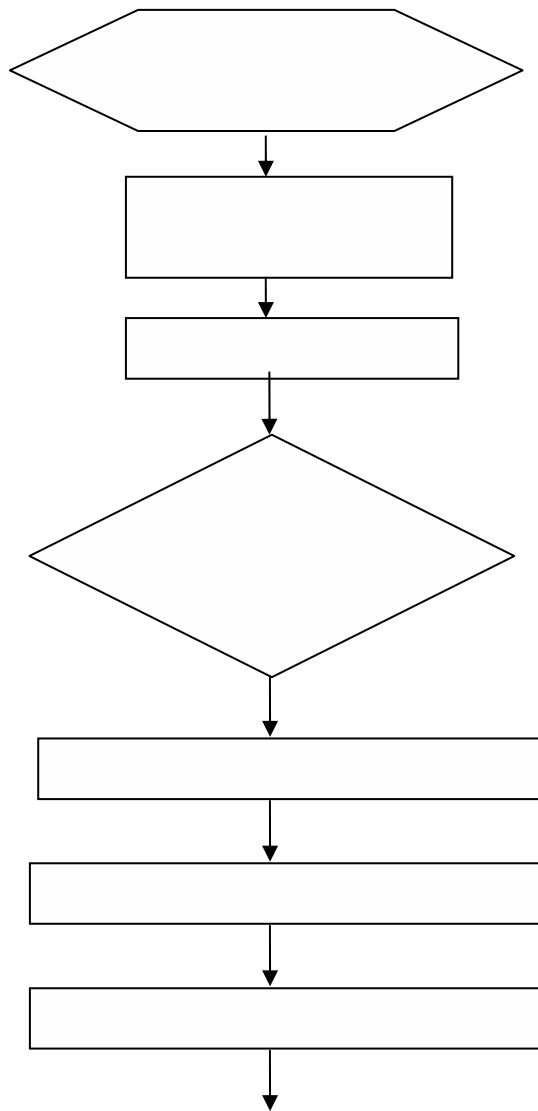
3

u

u

3.1

3.1.1



3.1.2

”

”

”

”

”

”

7.9

”

”

” 3.3 AP

a AP

u

3 2 AP220-E(M) V1.XX V2.XX

3.2.1 AP

AP

u

1) 4 5mm 120y 275mm

z

z

3-3

z AP

AP

8mm

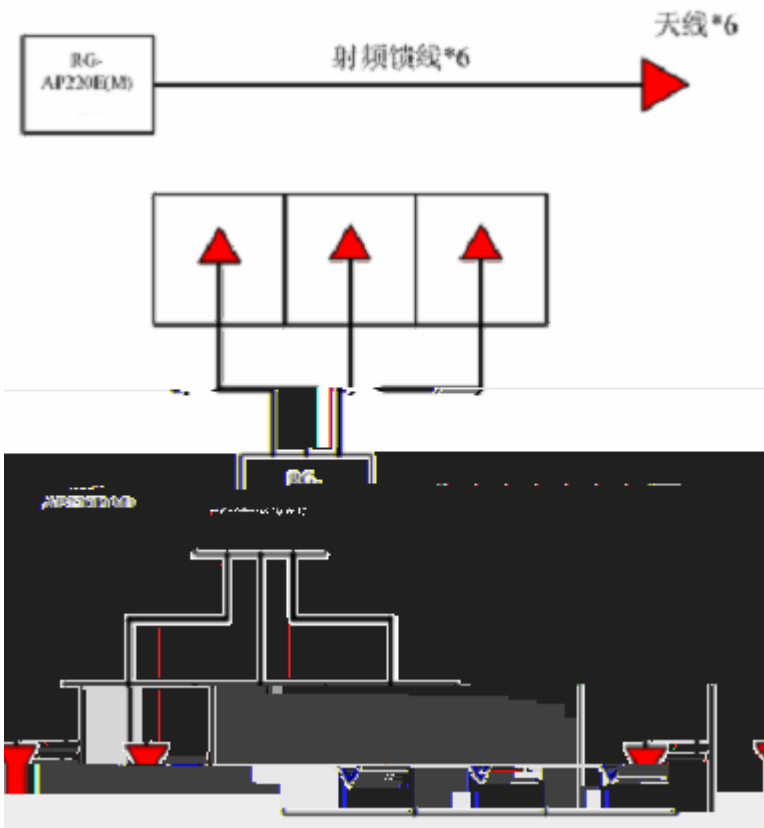
3-3

z AP

AP

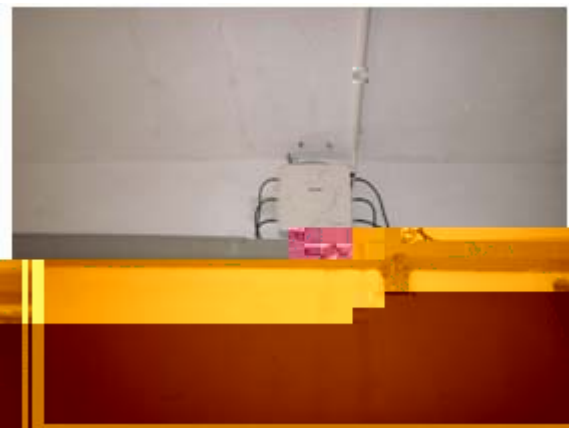
RG-AP220-E(M) 6

3-4



AP

3-5



3.2.2

AP

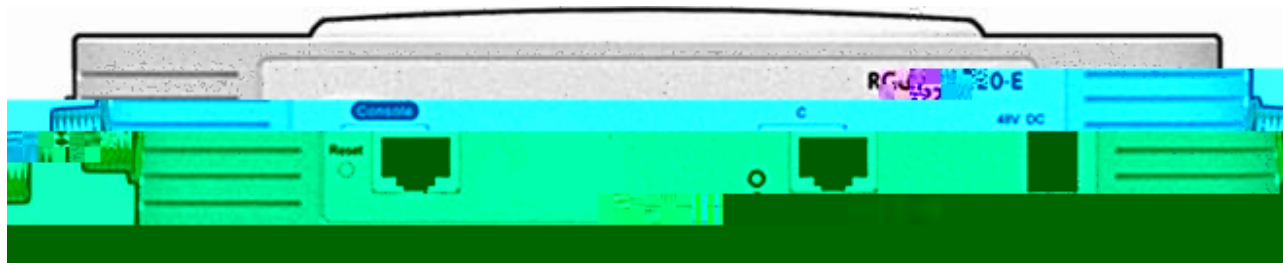
” PoE

” 48V

PoE

PoE
AP
3-6

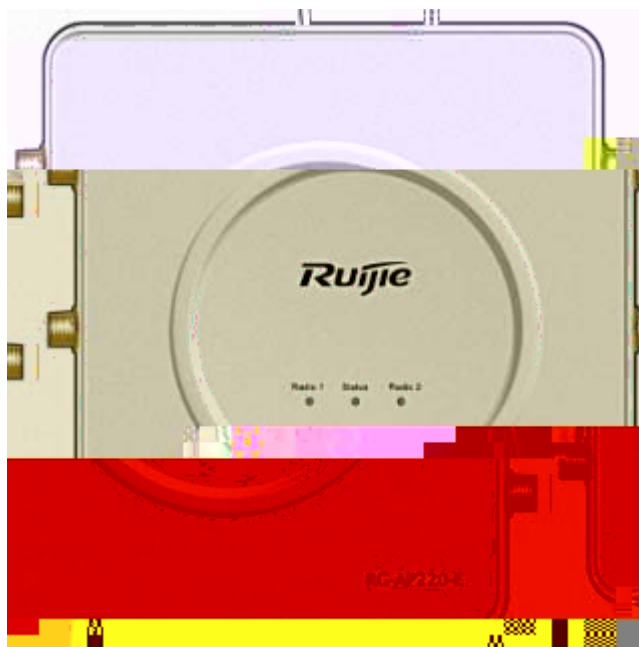
802.11af
PoE



- | | |
|-----------|---------------------|
| 1. | 4.10/100/1000Base-T |
| 2.Console | 5. |
| 3. LED | 6. |

AP
3-7

AP



- | | |
|--------------|--------------|
| 1.Radio1 LED | 3.Radio2 LED |
| 2.Status LED | |

	Status		Status "3.5 "
1/2	Radio1/2		2.4G
			2.4G
			Link
LED	C		1000M Link Up
			1000M
			100/10M Link Up
			100/10M

3.3 AP220-E(M)-V2

3.3.1 RG-AP220-E(M)

AP				u
AP				u

M7x 4.5x28 (mm)

4*20PABC (mm)

3-8

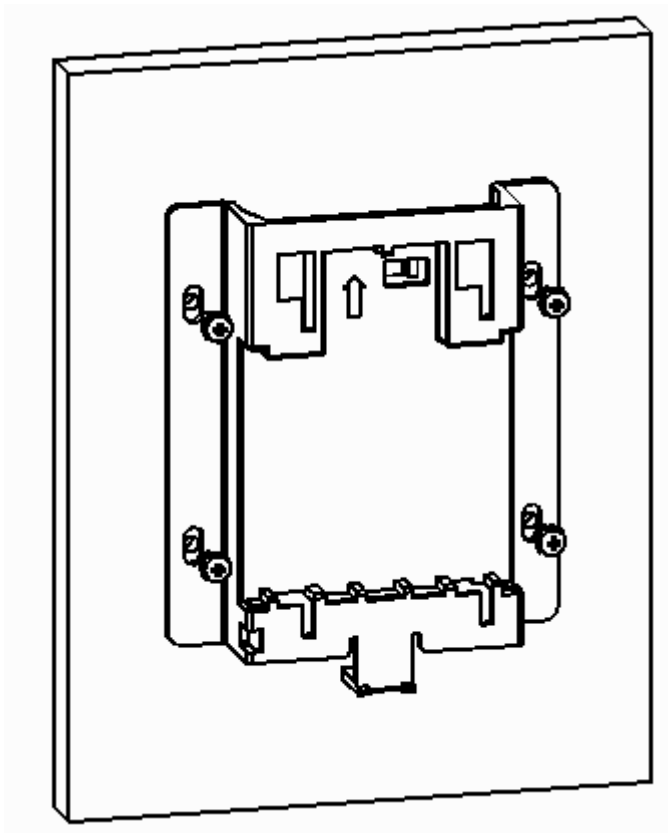
3-9

1) 4 6mm 91y 65 mm

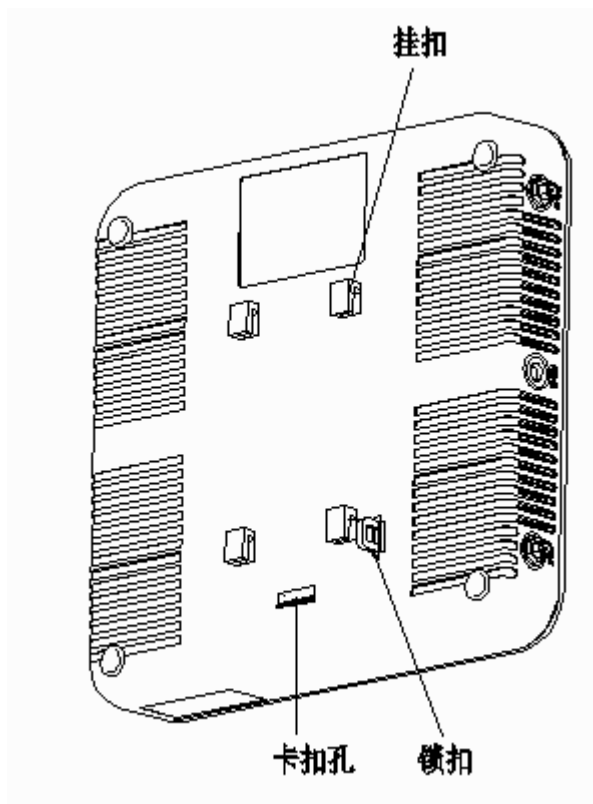
2)

3)

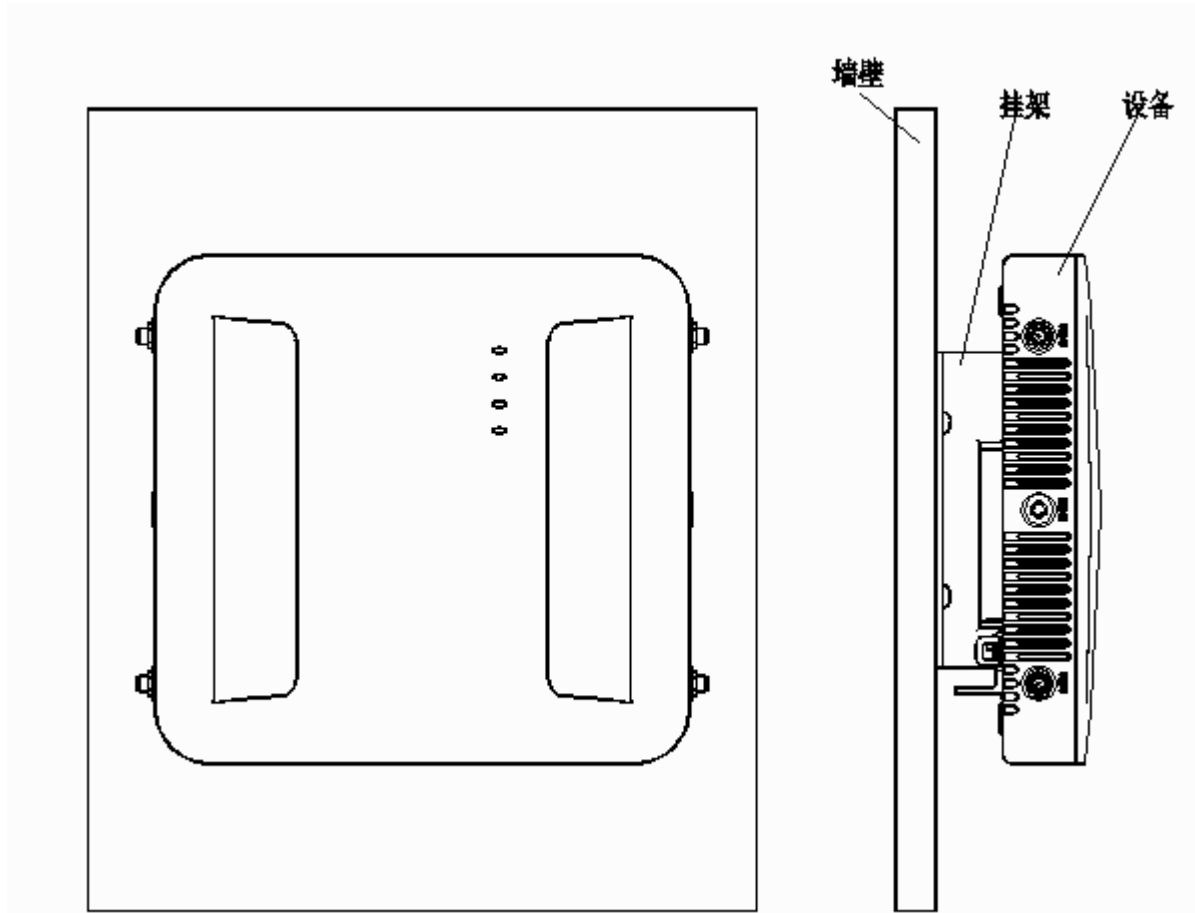
3-10



3-11



3-12



4) AP AP AP
3-12

5)

AP u

3.3.2

PoE

PoE 802.11af 802.11at PoE
AP 1000M 2

3-13



u

AP 10cm u

AP u

AP STATUS Ethernet AP
RADIO1 RADIO2
1.3

4

4.1

” PoE 802.11af
”

AP

- 1)
- 2) AP
- 3)
- 4) AP

Status

Status

Status
1 Status

Radio

Status Radio
CAPWAP AC

AP AC