

RG - AP630(CD)

V1.03

• 'Ñ f

copyright © 2019



± • Ñ f

ø W

„Đ Ÿ

ê ± V

” <http://www.ruijie.com.cn/>

” <http://ocs.ruijie.com.cn>

” <http://www.ruijie.com.cn/fw/>

” 7 × 24 4008-111-000

”

” <http://bbs.ruijie.com.cn/portal.php>

” <http://www.ruijie.com.cn/fw/wt/>

” 4008111000@ruijie.com.cn

g é á “ ,

a _Éc>Ac”ü ´/ë_É ´ » d

\c”µc¬*cs ´• Mí)ûj´ ài

; s !6 [Æã)ûj´ àid

1 Gco\$

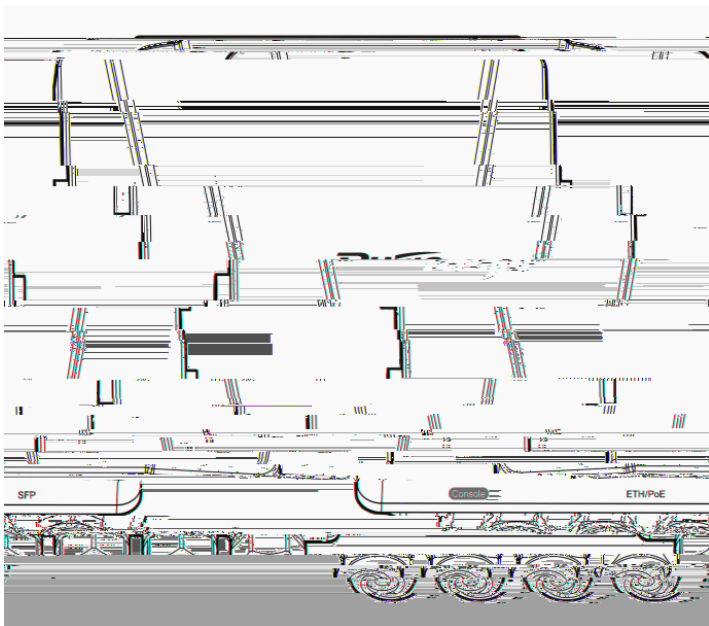
AP	1	
	1	
	1	
	1	
304	,M8× 20	4
304	,M8× 40	2
PG		1
(V2.00)		1
		1



PG

3 RG-AP630(CD) Ø O B / L

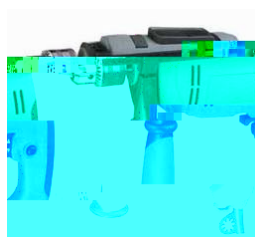
RG-AP630 CD



1 Console	3 10/100/1000Base-T	/ POE IN	4 ETH	SFP
-----------	---------------------	----------	-------	-----

4 V ¿ ? ¿

AP â;o Ô m]n È Tl-• m ‘‘y• m]n



5 RG-AP630(CD) Ceyf

SYS		CAPWAP
		DOWN
	(3	1
)	2	-70dBm -50dBm
	3	-50dBm

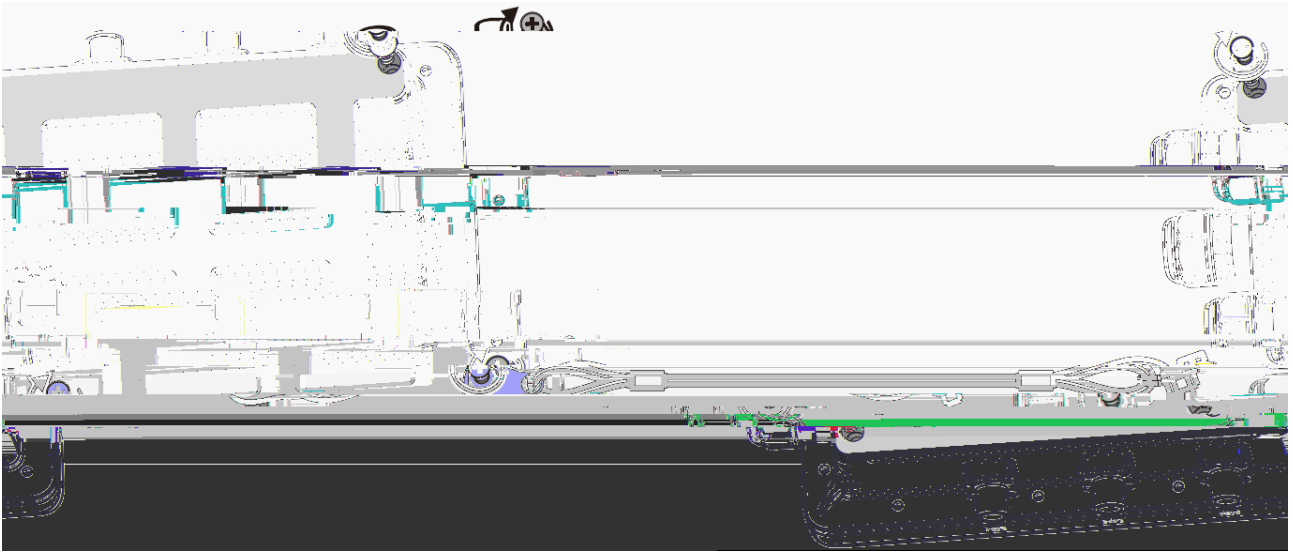
6 GRG-AP630(CD) 2

1)

) AP

4 M8x20

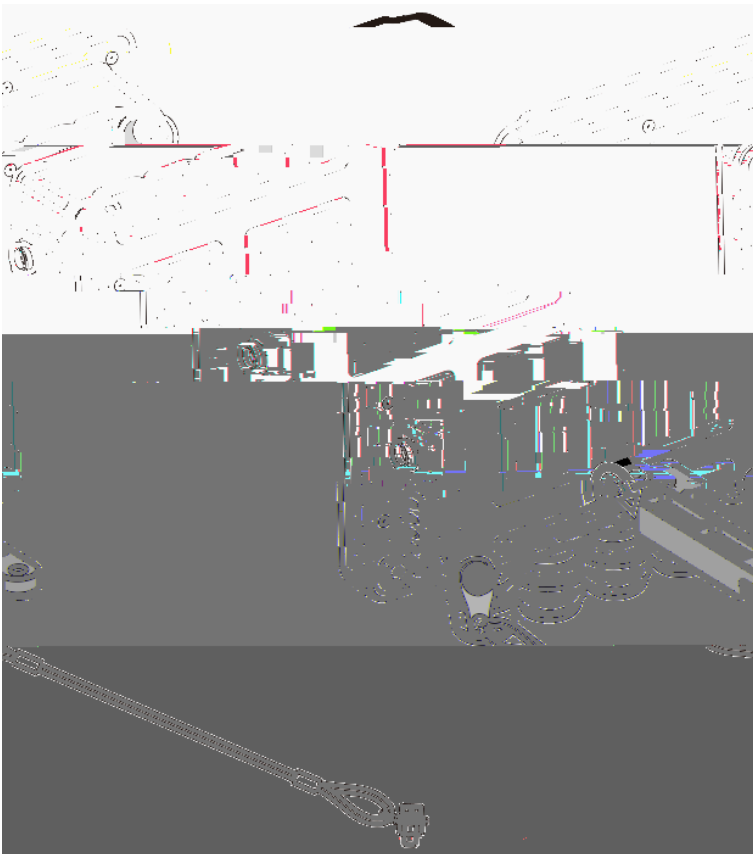
A (



2) M8x 40

()

AP



7 ù μ G

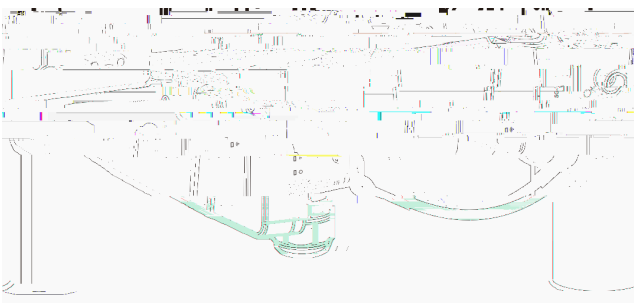
a



b M8x40

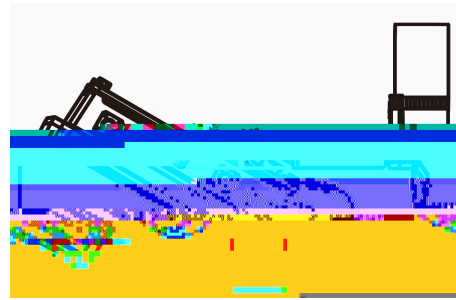
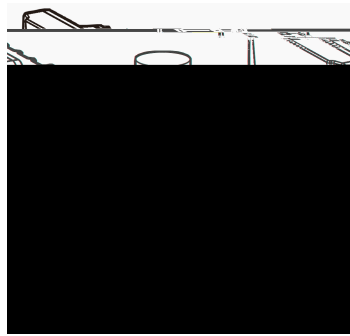
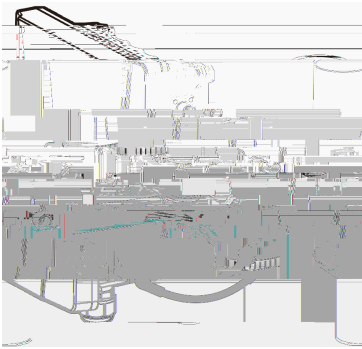
AP

B



M8x40

AP



čTM [<p& m n[~] m[°]ž ä ä G 0 œ p& ç,

É ó AP m&?g ó <š m ä p& m f 5[°] p& E³ Û Ð 75mm~120mm d_É p x ' *
; o • 304 â 1 p x " ' p& â } @³ • È ` i s ù ½ ë) + ø p x) ù m ` p x £ â ì
2.5mm î • ¶ ÿ ÿ " • • 5 ë ä ÿ æ¹ f

8 Ĩ G

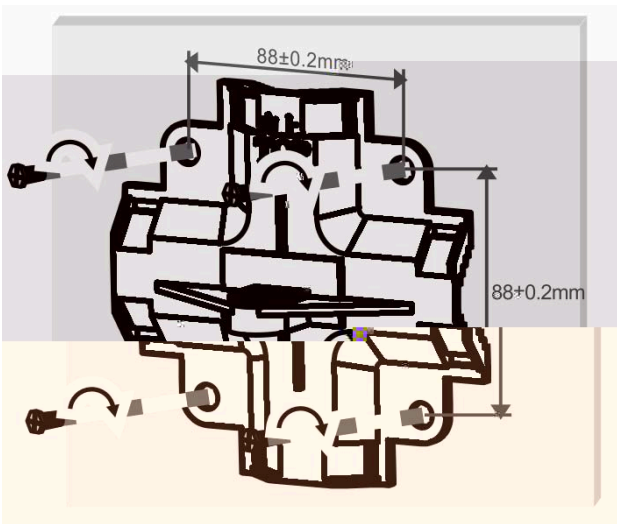
š K čTM m ' î ä ý ' ' • x É î ä ý d È

M8,60

a

8mm

4 M8x60

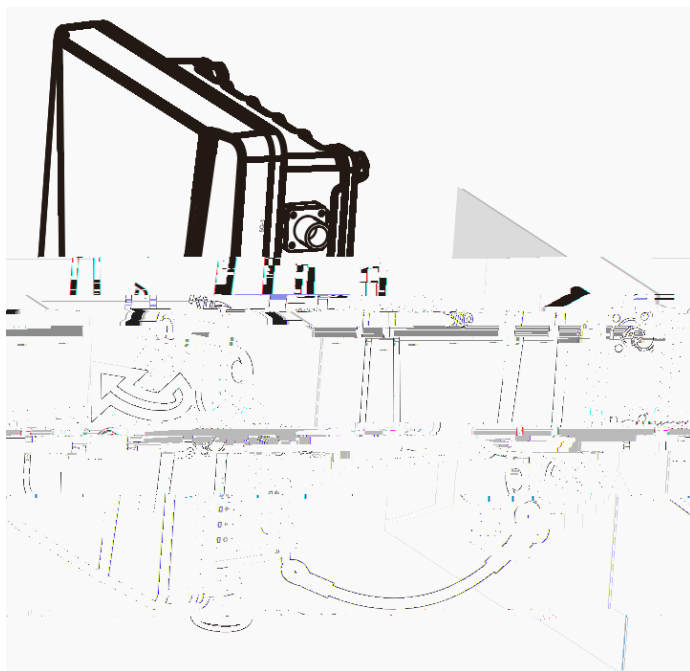


b

M8x40

B

AP



9 ä / - • (- • Ž T + / â §] • - V2.00 X d ì)

a ½ ë x ' ' •

1	2.7± 0.2mm	LC-LC						
2			A	B	C	D	B	C
3				A				
4	B	C	A					
5	D							

6

D B C A

AP

a →° LC-LC ›~«→ E } 2.7•0.2mm ³ • ° 1c ... → •â l ½ ýŸd

a U c á›~«→ â§Í \ ´E*›~«→ â “d

10 ä/XP-Ô§

PG

PG

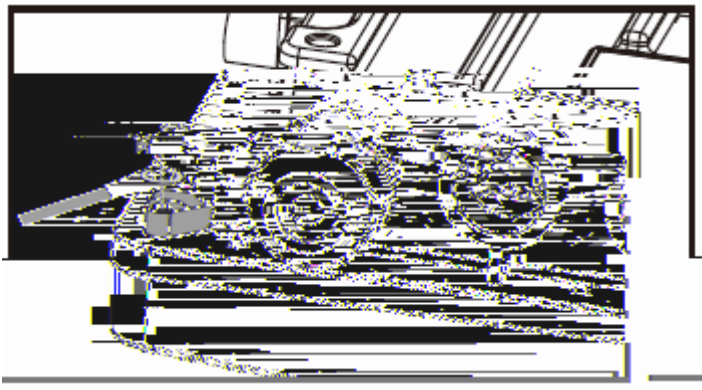
a m••” •Ü → 6È & AP •• POE Ç Â%½ PG È d

a òl → 6Èpò & AP •• âpò}Â½ PG È “ VE* 6Èd → j • ½ PG È
| ä AP ••-U 6Èd

11 ä//©Ž

a ël ••0b(j →k d

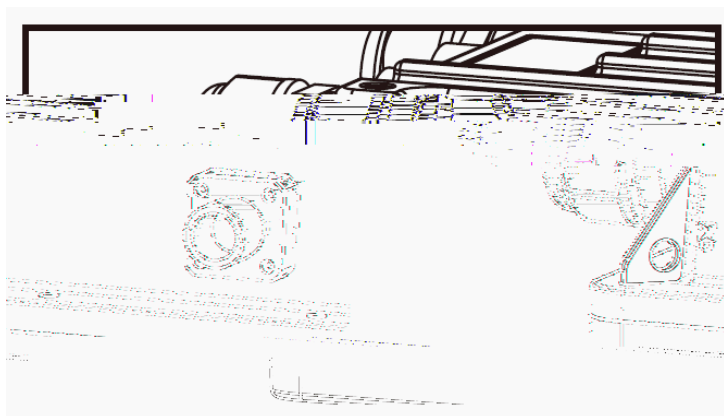
RG-AP630(CD) •"½" ϕNÆã•â | !½"v Û©j U → d"´´ W:½" %o ¶
» ‘ûðs½"vd



OT

12 GT ò 6 cT ò d

½ M ' '•



13 ... ^ 8) ^ > C | ¥ ø " o \$ c10

u d

	x					
	x					
	x					
	x					

x

SJ/T 11363-2006

SJ/T 11363-2006

“ ”

