

RG - AP740- I

V1.03

copyright © 2018



- <http://www.ruijie.com.cn/>
- <http://webchat.ruijie.com.cn>
- <http://www.ruijie.com.cn/service.aspx>
- 7 24 4008-111-000
- <http://bbs.ruijie.com.cn/portal.php>
-

1

RG-AP740-I	X-sense	802.11ac Wave2	AP
9	MU-MIMO		
1733Mbps+800Mbps+433Mbps		2533Mbps	
	RG-AP740-I	X-sense	AP
	RG-AP740-I		
	WS		
RG-AP740-I	2.4G+5G+2.4G		

OFDM

HECK@5C 51.5/11Mbps 0 0 9EMC /P <</MCID 30 BDC 0.0001/TT00 Tw -19.62 -1.733 Td(MIMO-OFDM)Tj/C

USB
Reset
LAN1/PoE
48V
Console
LAN2/PoE

ap

	-	AP
	3Hz	AP

RG-AP740-I



2.4G

RG-AP740-I

1-2 2.4G

2.4G

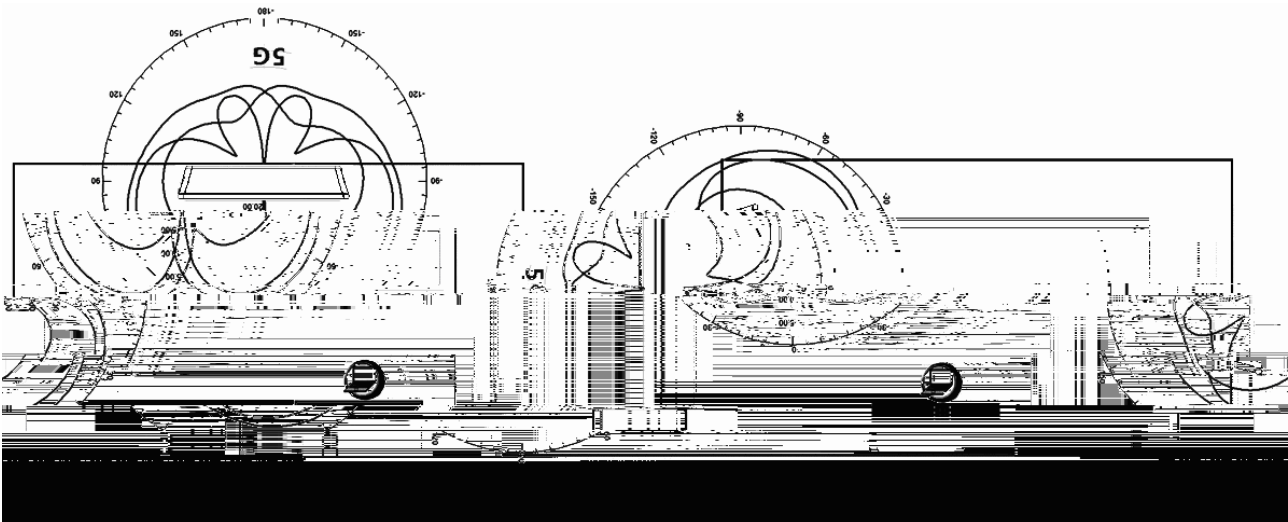


5G

RG-AP740-I

1-3 5G

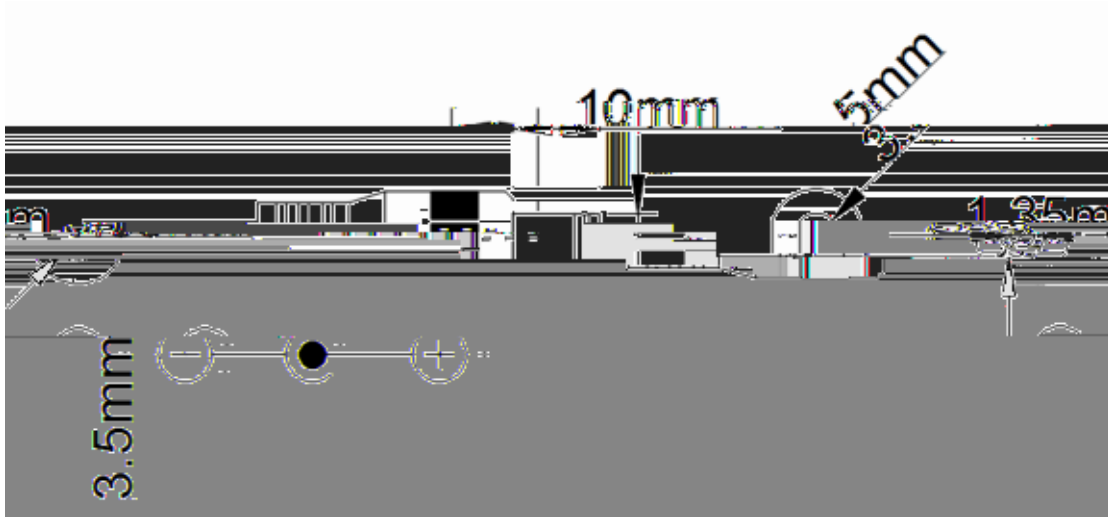
5G



H ₂ S	0.006	0.03
NO ₂	0.04	0.15
NH ₃	0.05	0.15
Cl ₂	0.01	0.3

2.5.5

- DC42.5-57V 0.7A 30W



- PoE 802.3af/802.3at PoE

RG-AP740-I

25.5W PoE

2.5.6 EMI

-
-

2.6

 RG-AP740-I

3

RG-AP740-I AP



3.1



-
-
-
-
-
-
-
-
-
-

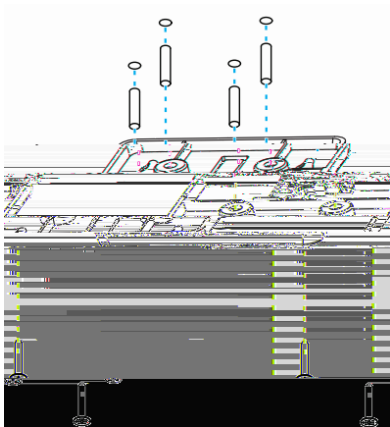
3.4



-

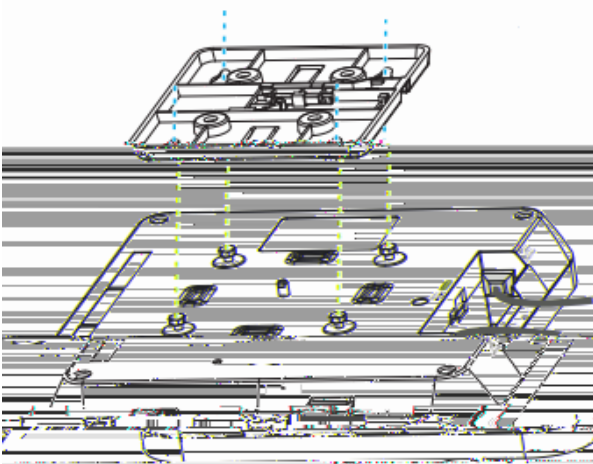
1) 4 6mm 53mm

3-1



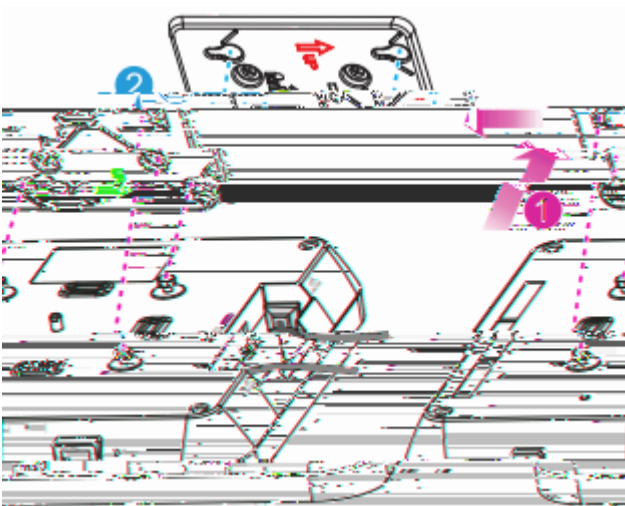
-

3-2 AP



●

3-3 AP



RG-AP740-I

■

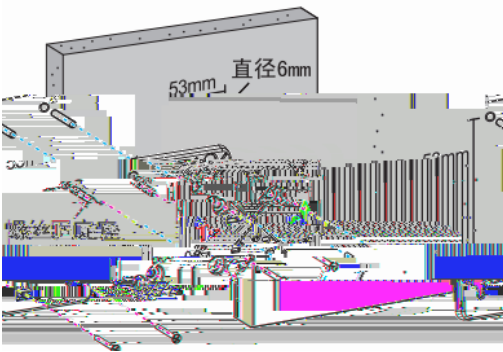
●

4

6mm

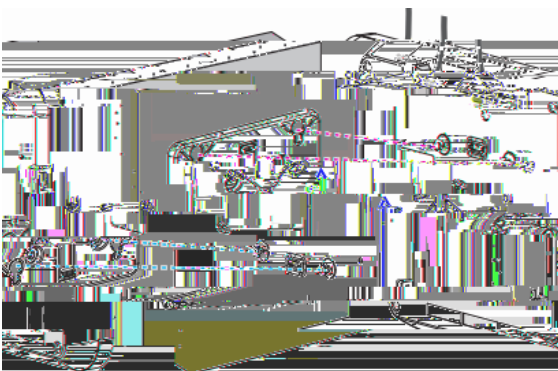
53mm

3-4



●

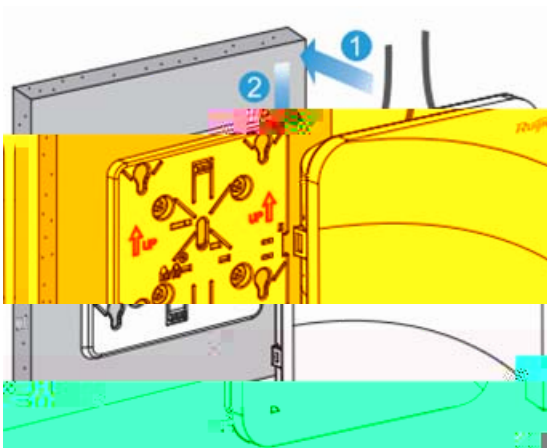
3-5 AP



●

Ruijie logo

3-6 AP

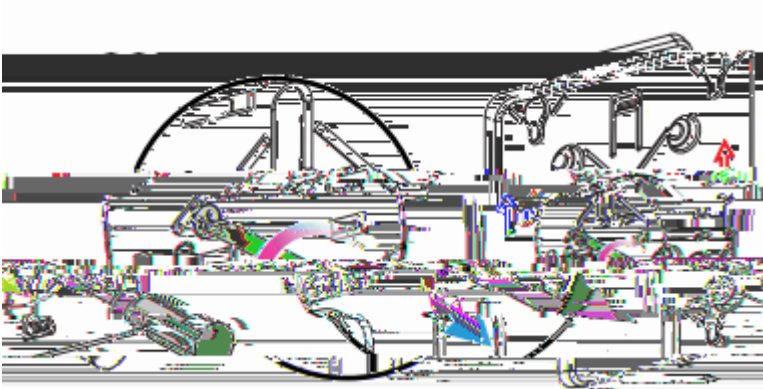


" Ruijie" logo

3.5

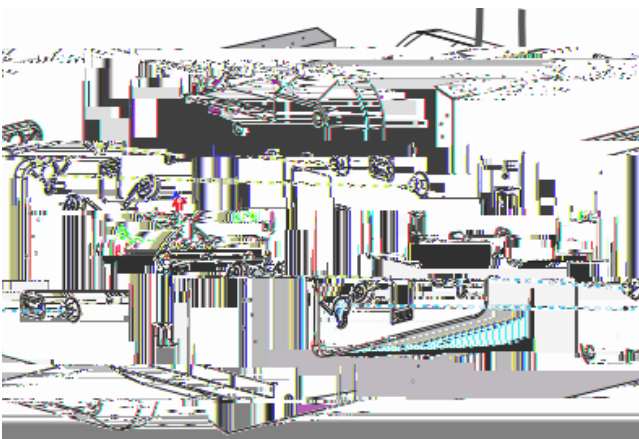
1)

3-7



2)

3-8 AP



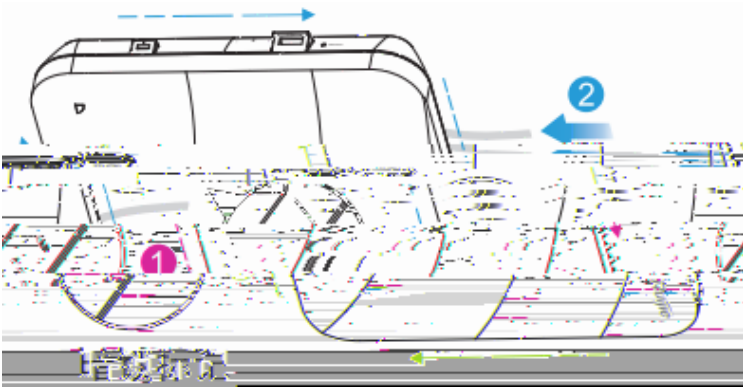
3.6

1)

AP

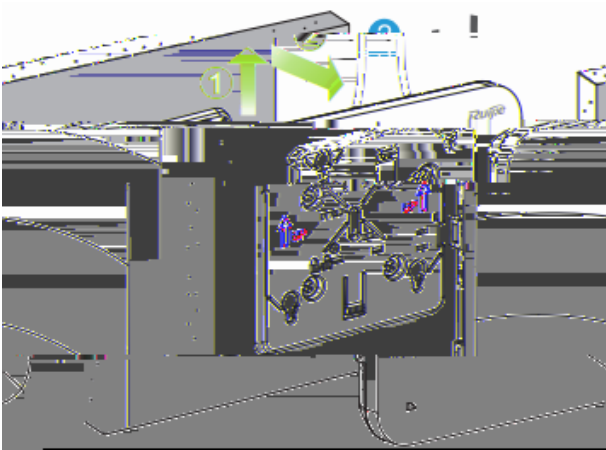
ruijie

3-9



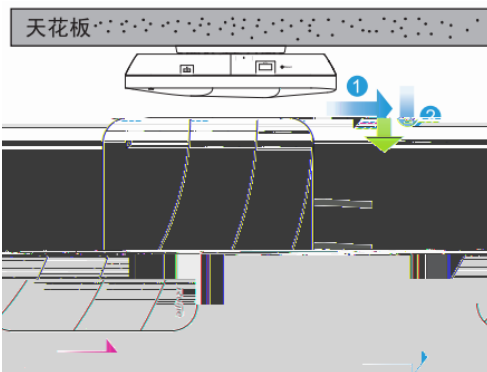
2)

3-10 AP



3)

3-11 AP



3.7

console

9600

8

1

AP

RG-AP740-I

RG-AP740-I

3.8

-
-
-

- 1)
- 2)
- 3)

LAN1/PoE

3.9

-

”

5

5.1

RG-AP740-I

- AP
- AP Link down
- AP CAPWAP
- AP
- AP CAPWAP
- 16 /min AP CAPWAP
- AP
- 2 2 AP AP
- AP /

CLI

RG-AP740-I

AC



RG-AP740-I

Telnet

RG-AP740-I



- AP
-

A

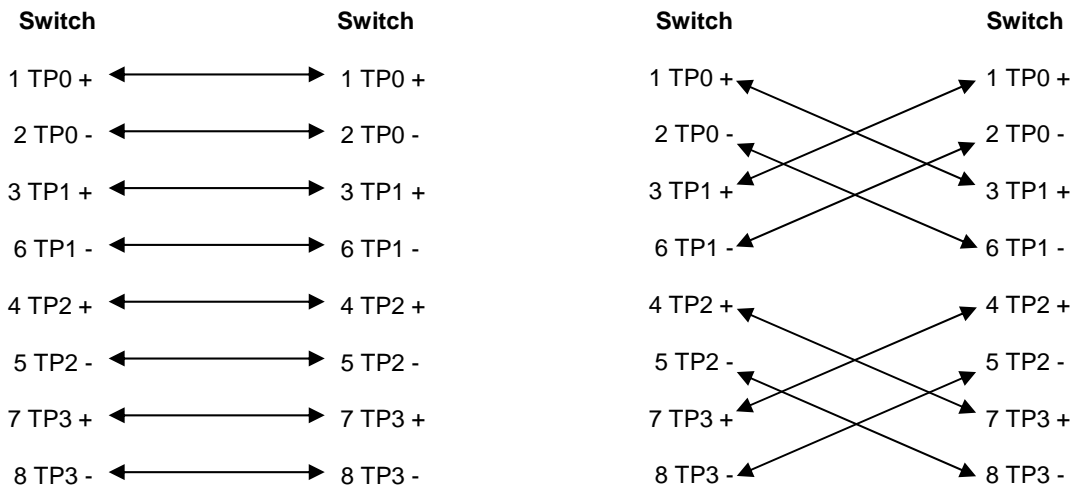
1000BASE-T/100BASE-TX/10BASE-T

1000BASE-T/100BASE-TX/10BASE-T

MDI/MDIX Crossover

1000BASE-T IEEE 802.3ab 100 100-ohm 5 5 UTP STP
 1000BASE-T 4 4 1000BASE-T

A-1 1000BASE-T



100BASE-TX/10BASE-T

100Mbps 100-ohm 5

100

10Mbps

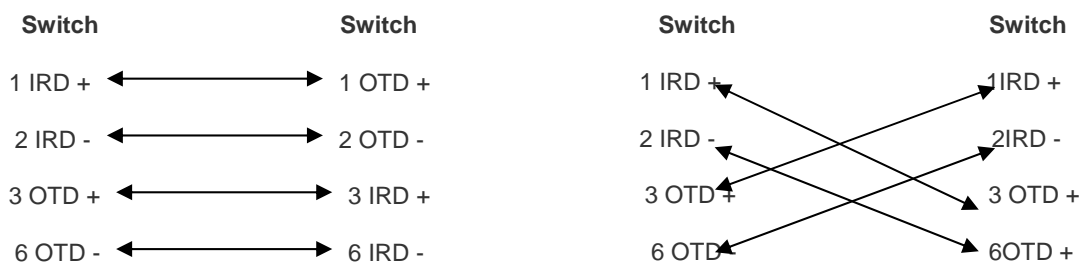
100-ohm 3 4 5
 100BASE-TX/10BASE-T

A-2 100BASE-TX/10BASE-T

Pin		
1	Input Receive Data+	Output Transmit Data+
2	Input Receive Data-	Output Transmit Data-
3	Output Transmit Data+	Input Receive Data+
6	Output Transmit Data-	Input Receive Data-
4 5 7 8	Not Used	Not Used

100BASE-TX/10BASE-T

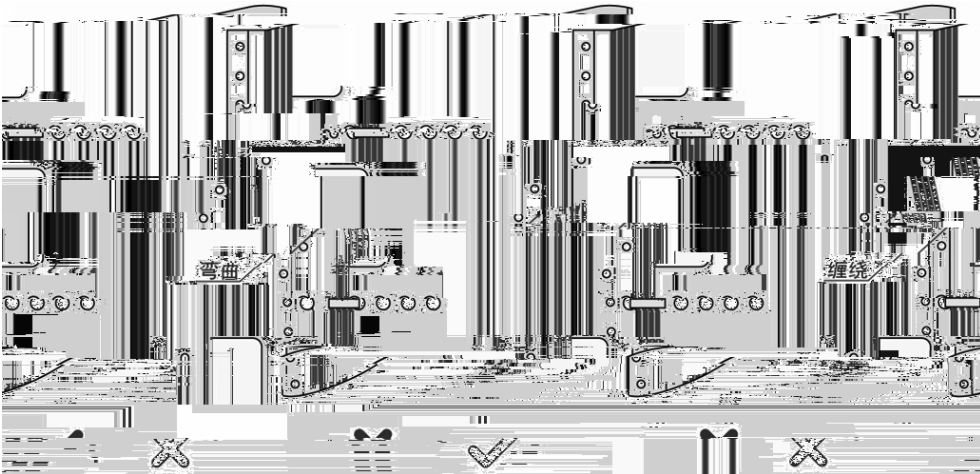
A-3 100BASE-TX/10BASE-T



RG-AP740-I

- 5
- 7
- 7 10
- SFP+ 5 10

- -
 - B-1
- B-1



- 30mm
-
-
-

■

B-2

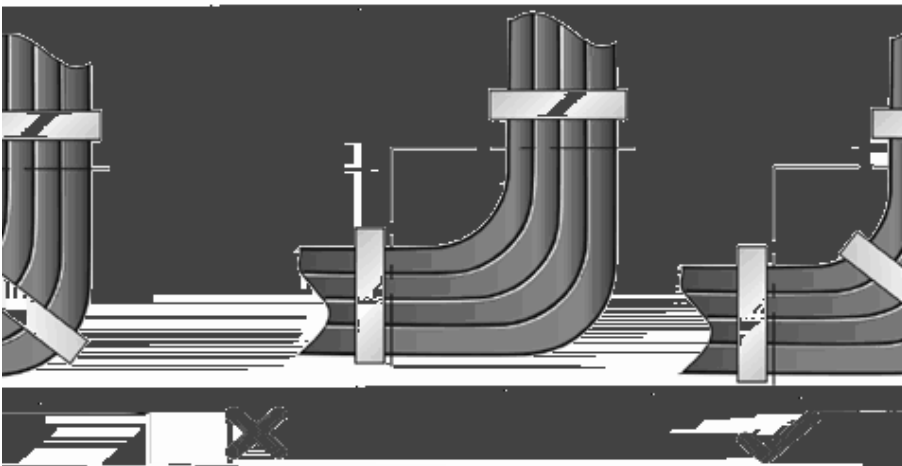
B-2



■

B-3

B-3



■

■ 220V -48V

■

■

B-4

B-4

