

RG-AP630-L

copyright © 2021



<http://www.ruijie.com.cn>

<http://www.ruijie.com.cn/fw/>

7*24h

<http://ocs.ruijie.com.cn>

7*24h

4008-111-000

<http://bbs.ruijie.com.cn/portal.php>

——

<http://www.ruijie.com.cn/special/fw/tool/xryf/>

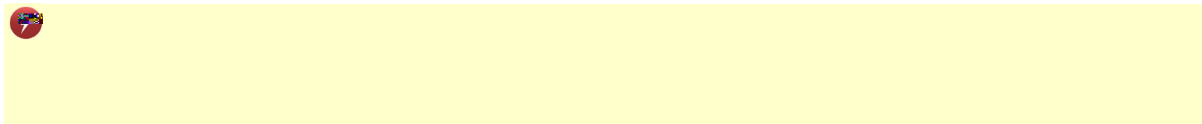
4008111000@ruijie.com.cn



APP



1.



/

2.

RG-AP630-L

| | |
|--|-------------------------|
| | 1dBm |
| | 250mm × 170mm × 50mm |
| | 1kg |
| | 1 10/100/1000Base-T PoE |
| | 1 Console |
| | PoE 802.3af/802.3at |
| | <12.95W |
| | -40°C 55°C |
| | -40°C 70°C |
| | 5 95 |
| | 5 95 |

IP

1.3 RG-AP630-L

| SYS | | | () |
|-----|--|-------|---------------|
| | | (3Hz) | AP |
| | | | capwap |
| | | | |
| | | (3Hz) | uboot kernel |
| | | | |
| 3 | | 1 | -70dBm |
| | | 2 | -70dBm -50dBm |
| | | 3 | -50dBm |

RG-AP630-L

PoE

| | |
|-----|-----------------|
| PoE | 802.3af/802.3at |
|-----|-----------------|

RG-AP630-L

| |
|--|
| |
|--|

2

2.1

RG-AP630-L

2.2

AP

500m



2.3

,

2.4

2.5

RG-AP630-L

2.5.1

RG-AP630-L

RG-AP630-L

2.5.2

RG-AP630-L

2.5.3

RG-AP630-L

RG-AP630-L

| | |
|------------|--------|
| | |
| -40°C-55°C | 5%-95% |

2.5.4

| | | | | |
|-------|-------------------|-----------------|-------------------|-------------------|
| (Ç m) | 0.5 | 1 | 3 | 5 |
| / | 1.4×10^7 | 7×10^5 | 2.4×10^5 | 1.3×10^5 |

| | | |
|------------------|-------------------|-------------------|
| | mg/m ³ | mg/m ³ |
| SO ₂ | 0.2 | 1.5 |
| H ₂ S | 0.006 | 0.03 |

| | | |
|-----------------|------|------|
| NO ₂ | 0.04 | 0.15 |
| NH ₃ | 0.05 | 0.15 |
| Cl ₂ | 0.01 | 0.3 |

2.5.5 EMI 2.133 0 Td <231807950C94 /Span <</MCID 17 >>>BDC BT /T0 1 Tf 9 j EMC /LBody <

PoE 802.3af/802.3at PoE

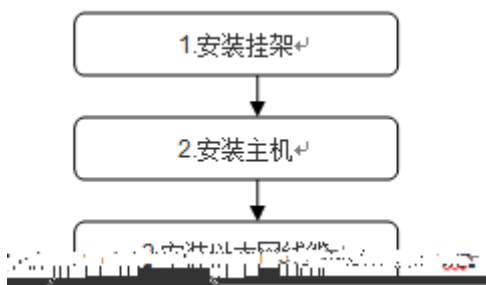
RG-AP630-L

15W

3

RG-AP630-L AP

3.1



3.2

RG-AP630-L

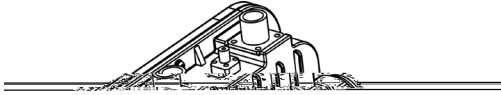
3.3

AP
304

50mm-70mm,

2.5mm

AP



2

2

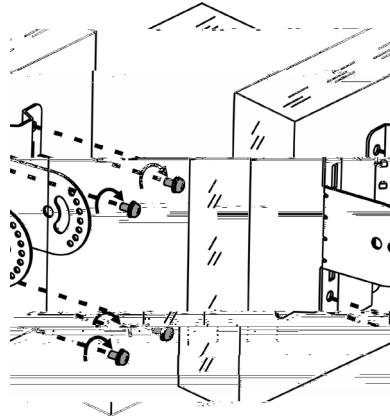
3-3

3-2

4 M6

3-2

3-3



3

4 M6

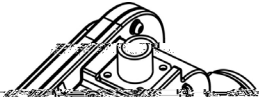
4

AP630-L

4

M6

3-4



3.4.3

PG O AP LAN/PoE PoE
AP A



 Console 9600 8 1 AP

 PG PG

3.5

4

4.1

PoE

AP

PoE

AP

AP AC

PC AP

PC PoE

4.2

AP

AP

AC

AP

5

5.1

RG-AP630-L

CLI

RG-AP630-L

AC

RG-AP630-L

Telnet

RG-AP630-L

RG-AP630-L

5.2

AP

AP

AP

AP

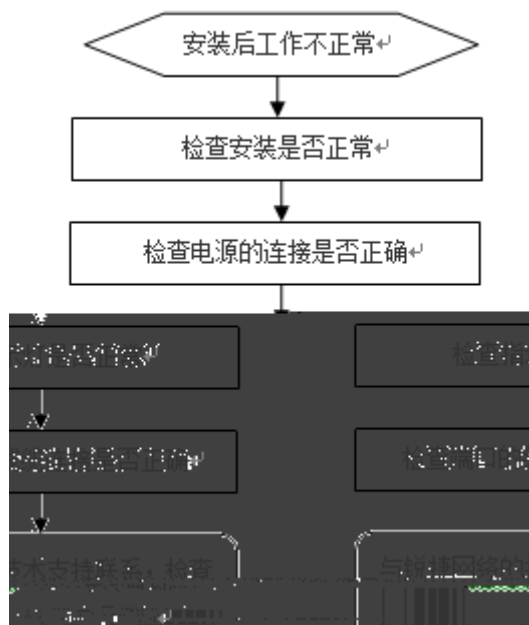
AP

AC

5.3

6

6.1



6.2

AP

SYS

SYS

SYS

CAPWAP , SYS AP AC
AC

A —

1000BASE-T/100BASE-TX/10BASE-T

1000BASE-T/100BASE-TX/10BASE-T (X) -3 (/BAS)-3.300 T1 0 Td(A) TjMC /Spa9 <</MCID 6 >>>BDC 7.0303 Tw 0<1C5F1E

Switch

Switch AP0 Tc 0 Tw 460E34E1E1ETTEM C BT



RG-AP630-L

7

5

7

10

SFP+

5

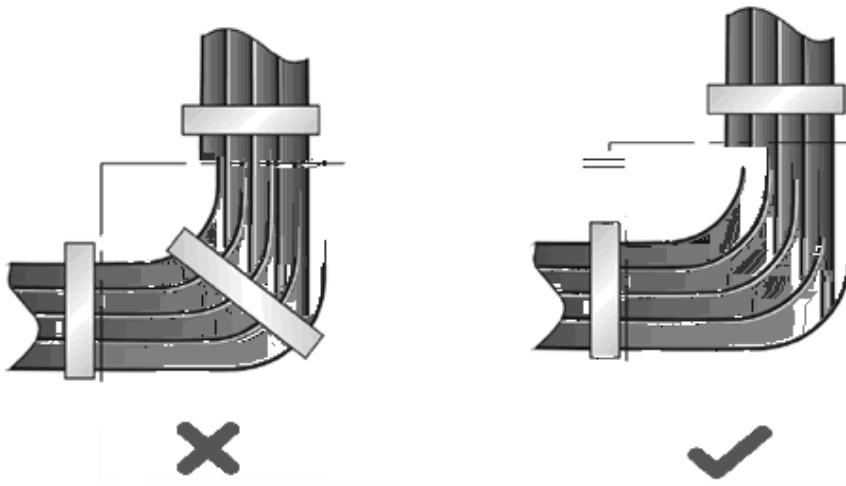
10

:Æ

D-2

D-3

D-3

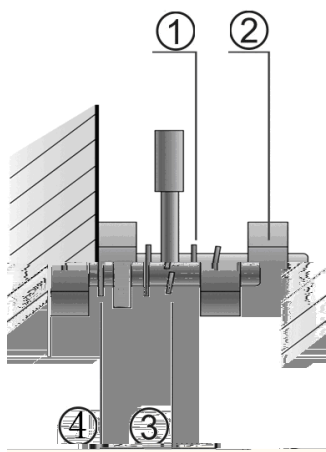


220V

-48V

D-4

D-4



| (mm) | (mm) |
|--------|---------|
| 10 | 80~150 |
| 10~30 | 150~200 |
| 30 | 200~300 |

C —

RG-AP630-L

| | | | | |
|----|----|---|--|--|
| | | | | |
| 1 | | 1 | | |
| 2 | | 1 | | |
| 3 | | 1 | | |
| 4 | M5 | 4 | | |
| 5 | M6 | 2 | | |
| 6 | PG | 1 | | |
| 7 | | 2 | | |
| 8 | | 1 | | |
| 9 | | 1 | | |
| 10 | | 1 | | |