

copyright © 2020



” <http://www.ruijie.com.cn/>
” <http://ocs.ruijie.com.cn>
” <http://www.ruijie.com.cn/fw/>
” 7x24 4008-111-000
”
” <http://bbs.ruijie.com.cn/portal.php>
” <http://www.ruijie.com.cn/fw/wt/>
” 4008111000@ruijie.com.cn

a _Éc>Ac”ü ´/ë_É´ 1» d
 \c”µc¬*cs´• Mí)ûj´ ài
; s !6 [Æã)ûj´ àid

1

11

RG-AP130(W2)	WallAP	RG-AP130(W2)	IP	802.11ac
RG-AP130(W2)		802.11ac wave2		802.11a/n/ac
802.11b/g/n	5GHz	867Mbps	2.4GHz	300Mbps
AP	1167Mbps		10/100/1000Base-T	(WAN) 4
10/100/1000Base-T		(LAN)		
RG-AP130(W2)				
RG-WS				

12

~~12~~ ~~802.11ac~~

~~121~~ ~~802.11ac~~

2.4G	2x 2MIMO
5G	2x 2MIMO
2.4G	802.11b/g/n
5G	

	PoE	802.3af/802.3at	DC	5V/2A
	8W			
	0°C 45°C			
	-40°C 70°C			
	5	95		
	5	95		
	86			
	86			
	IP41			
	GB4943 IEC 60950-1			
EMC	IEC61373	GB9254	EN301489	EN50121 EN50155
			EN300 328	EN301 893
			EN300 328	EN301 893
MTBF	>250000H			

122 ~~802.3af~~

RG-AP130(W2) 2 () 1 WAN 4 LAN

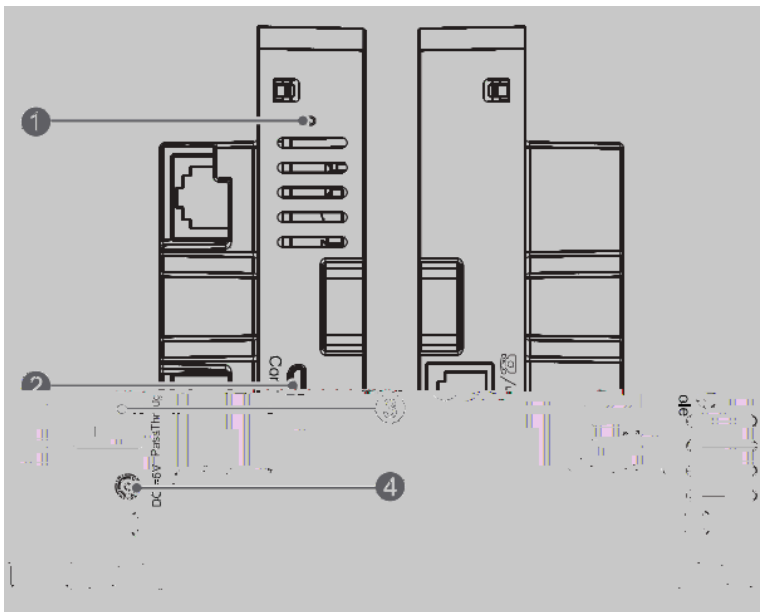
1-1 RG-AP130(W2)



1-1

PoE/UpLNK 1000/100/10BASE-T (WAN) PoE
 PassThrough PassThrough

1-2 RG-AP130(W2)

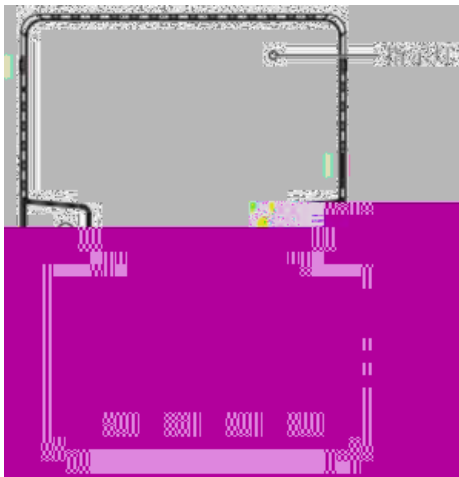


1-2

7

7	9 PassThrough
8 MicroUSB (Console)	: DC

1-3 RG-AP130(W2)



123 ~~80W~~

RG-AP130(W2) PoE DC
 „ PoE 44-57V 0.25A
 „ DC 5V 2A

1.35mm	3.5mm	10.4mm	

a PoE b (10 A n 802.3af PoE _ Ě ! 6 - Š ° .

124 ~~80W~~

RG-AP130(W2) 86

2

1

RG-AP130(W2)

AP

a » • æ Ù Đ É â • f N ¶ Ÿ { £ ø Æ ã d

2

”

AP

”

”

500m

”

”

3

”

0 45

”

-40 70

”

5% 95%

4

RG-AP130(W2)

2-1

2-1

m	0.5	1	3	5
(/)	1.4×10^7	7×10^5	2.4×10^5	1.3×10^5

RG-AP130(W2)

2-2

2-2

	mg/m ³	mg/m ³
SO ₂	0.2	1.5
H ₂ S	0.006	0.03
NO ₂	0.04	0.15
NH ₃	0.05	0.15
Cl ₂	0.01	0.3

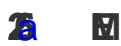
1)

2)

3)

4)

2-3



3

a È ò ½, < • ... g` • Ñ •

a ò • Ñ í ' Đ, <

31

32

AP

”

”

”

”

”

”

”

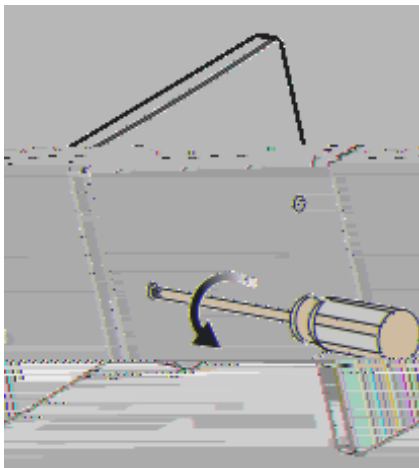
”
”
”
”

33

a } mg-NM → AP " È ò ln—(W

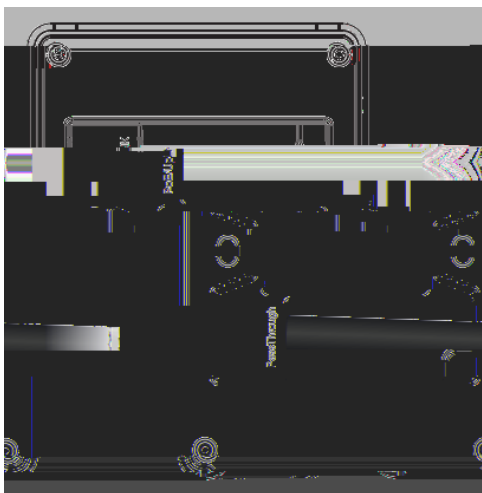
a È ò l m ä C ... ¶ →

a È ò l M → AP m * " » → " μ q _



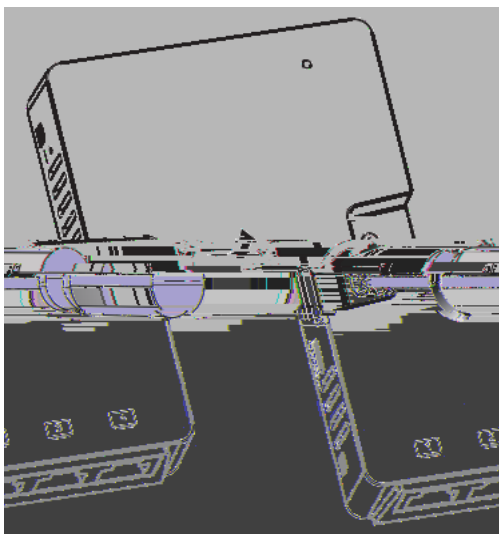
1

86



2

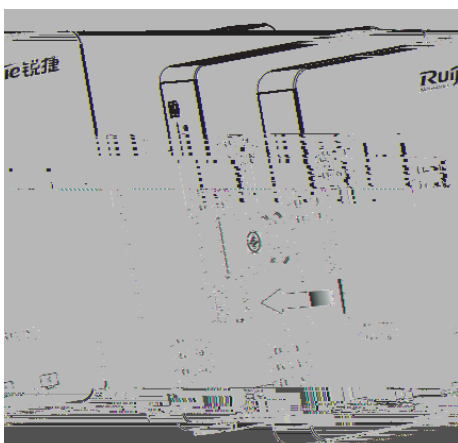
UpLNK PassThrough



3

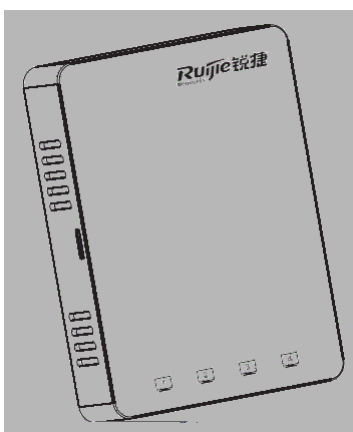
RG-AP130(W2)

86



4

RG-AP130(W2)



4

41

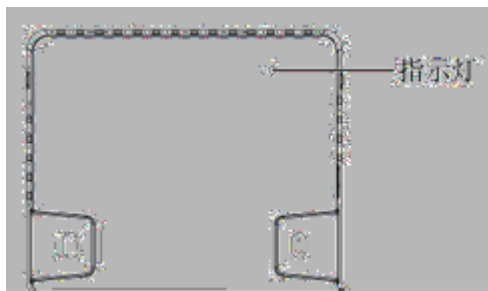
PoE

AP

411 

PoE

4-2 LED



43 /

4-3

4-3



431

1mm

2S

432

1mm

3S

5

51

AP

” AP

” AP

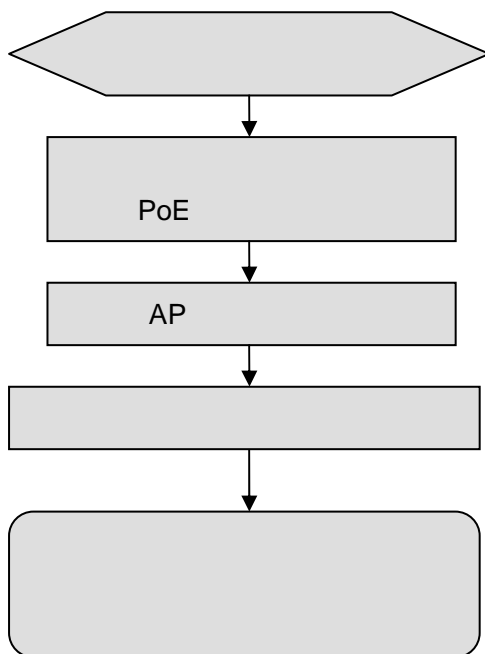
” AP LINK DOWN

” (1Hz) AP LINK UP x

” ÖA P

6

6



2

1

PoE

802.11af

2

2

3

3

1)

2) AP

3) AP

4) AP

» h m \ » RG-AP130(W2) H " Ó È T I ~ • • • y d

A-

~~1000BASE-T~~

1000BASE-T/100BASE-TX/10BASE-T

MDI/MDIX Crossover

1000BASE-T IEEE 802.3ab

100-ohm 5

UTP

STP

STP

100

1000BASE-T

4

4

1000BASE-T

A-1

A- 1 1000BASE-T

