

Wendy's



1

1.1

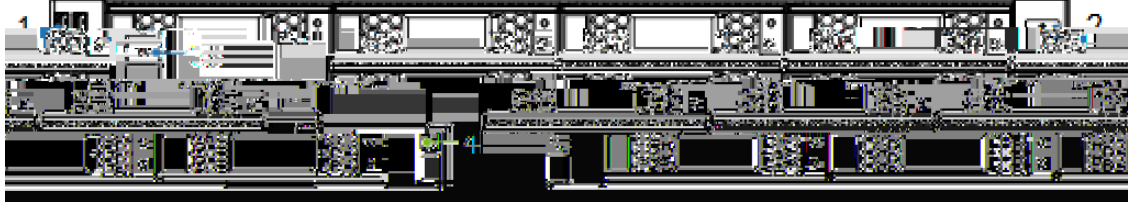
1.2

		1x SP3r2 (LGA)		
		1xHygon C86 7185 24 /48 2.0GHz	1xHygon C86 7165 (24 /48 2.0GHz)	1xHygon C86 7151 (16 /32 2.0GHz)
		16		
		RDIMM 512GB	32GB LRDIMM 2TB	128GB
		DDR4 2666/2400/2133*RDIMM/LRDIMM		
		DDR4 ECC RDIMM 16GB x 8	DDR4 ECC RDIMM 16GB x 6	DDR4 ECC RDIMM 16GB x 4
		8GB 16GB 32GB RDIMM 32GB 64GB 128GB LRDIMM		
		12 2.5/3.5	SATA	8
		240GB SSD x 3	240GB SSD x 2	240GB SSD x 1
		1TB x 1	1TB x 1	1TB x 1
		0~1TB 2TB 4TB 6TB 8TB 10TB S ATA		
		1G RJ45 PCIE		
		1 1000M		
	USB	4 USB3.0 2	2	USB
		3 USB3.0	USB 2.0	U
		VGA		
	PCI-E	2 PCIe	SAS RAID PCIe	X16 PCIe
		1 FCI Mezzanine	OCP	
		100-120/200~240 Vac 7~3.5A 60/50Hz		
		87.8mm()x 448mm()x730mm() 87.8mm()x 480 mm()x730mm()		
		5 -40		

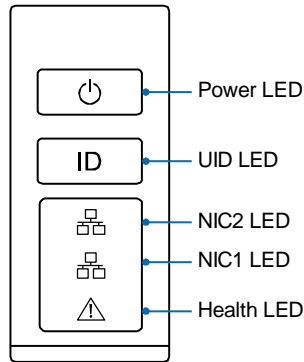
1.3

1.3.1

1. USB 2. Power Button 3. ID Button 4. Unlock Clips

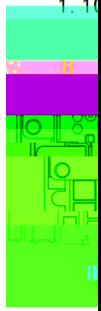


	USB 3.0	USB
1	USB3.0 U	USB 2.0
2		
3	ID	
4		



/		
ID		ID / ID LED LED
NIC1/2		ID Reset BMC

1.3.2

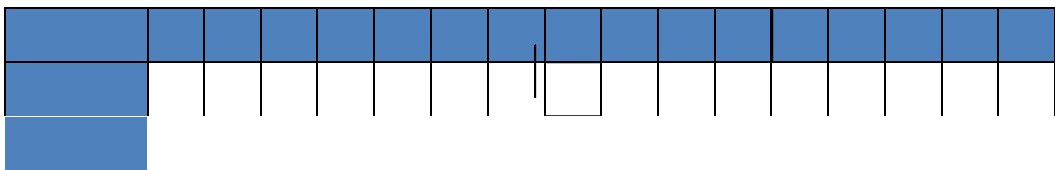


1		
2	VGA	
3	ID	
4	USB	

	1 1	RAID
	1 4	

1.5

16 DDR4 DIMM(Double Date Rate 4) 32GB DDR4
 RDIMM ECC 16GB DDR4 RDIMM ECC



- 0 1
-

1.6

RG-CSXX20ES V2.XX

1+1

5522.09 530.54 7C72605ID 183/LOB77 9.12 6391 119.57 530W0.47 518.78 5522.09 530.5

2

2.1



2.1.1



- 1 19
- 2
- 3
- 4
- 5

2.1.2



2.1.3



2.1.4



2.2

2.2.1

2.2.2

0.8

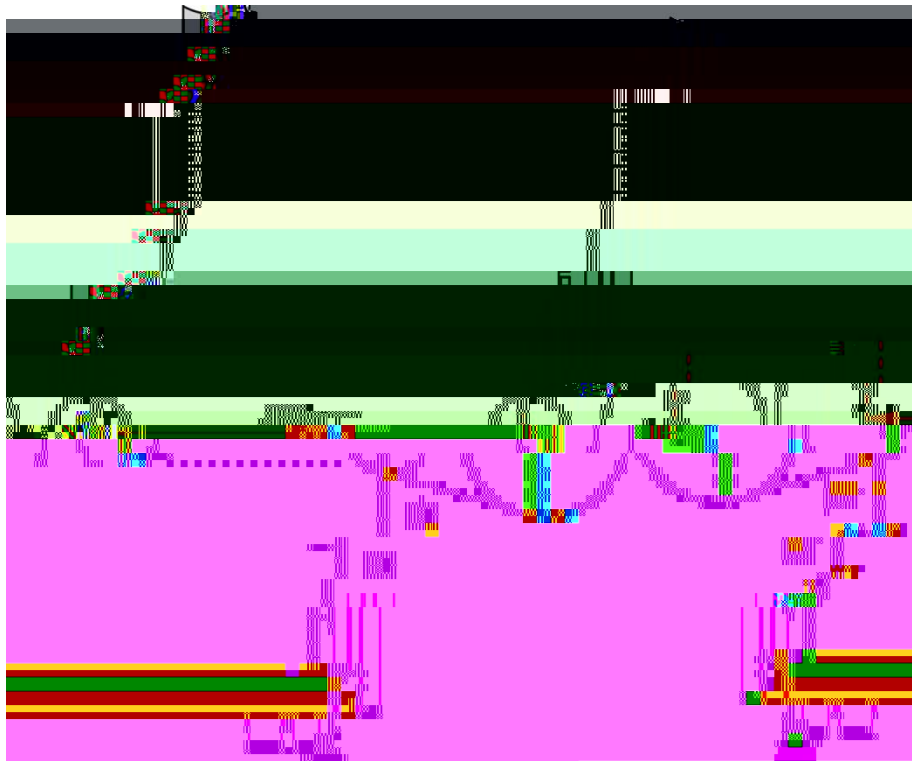
0.4

2.2.5

(1) 4 19

(2) 19 465mm

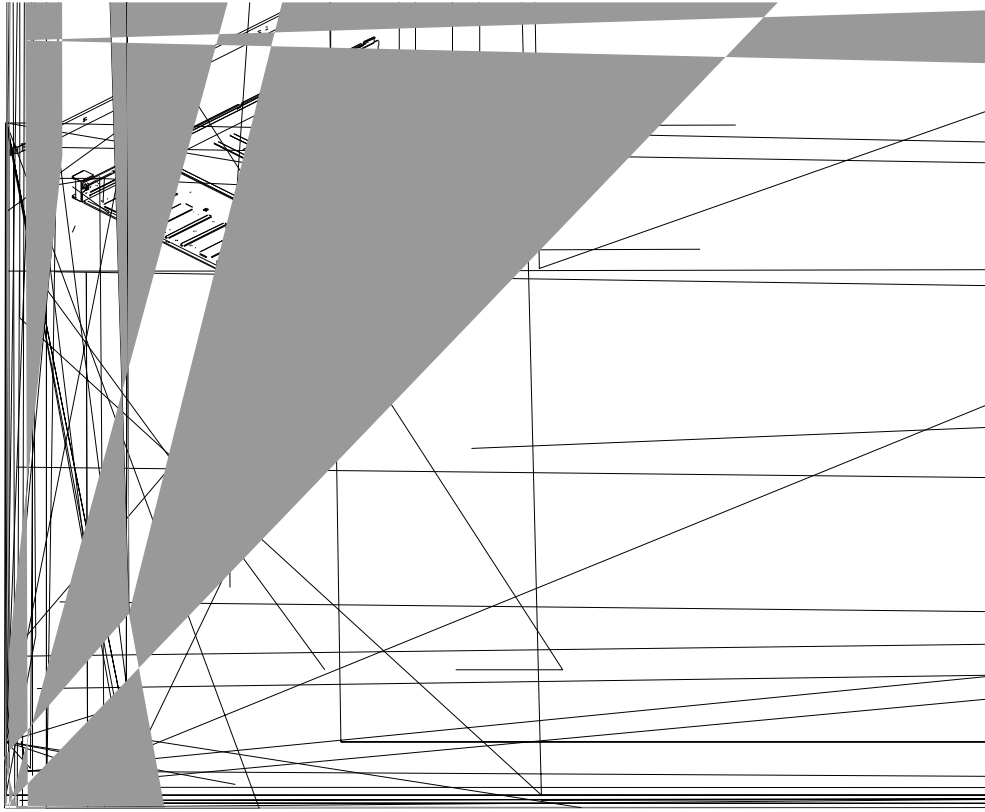
19



3
155mm

180mm
10

25mm



将外轨+托

3.3

-
-
-

RJ45

3.4

- -
 -
 -
 -
 -
-

4

4.1

-
-
-
-

DC

400

4.2

-
-
-

, TUI , ping

bios ,

Delete bios



400

4.3

-
-

BMC ECC
web 400

4.4

-
-
-
-

Halo BMC Web CPU 400