





111

| AP AM5528



RG-AM5528

10cm

3





RG-AM5528

10

RG-AM5528



| AP AM5514



RG-AM5514

10cm

| AP AM5514



**RG-AM5514**

RG-AM5514







AP



|

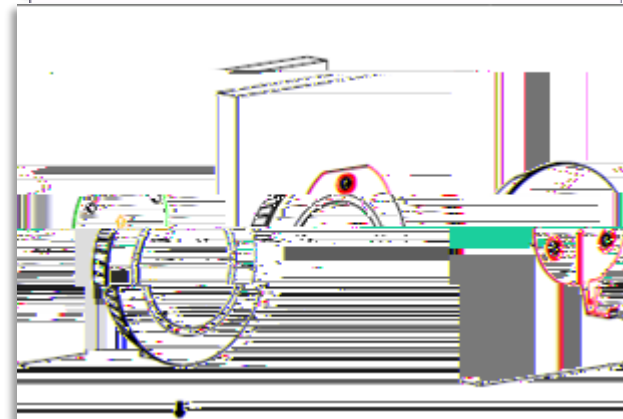
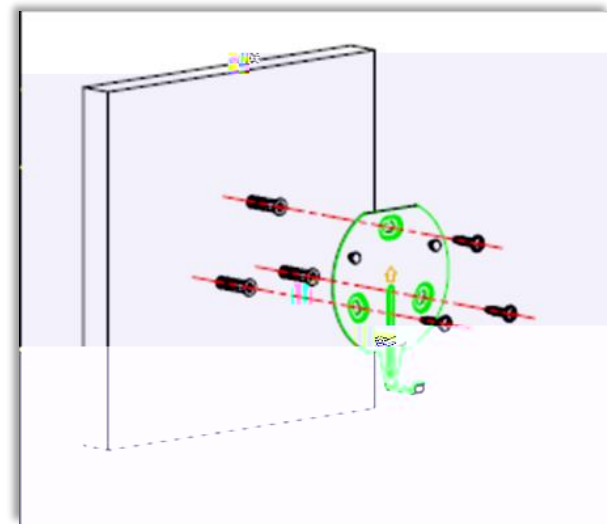
AP



天



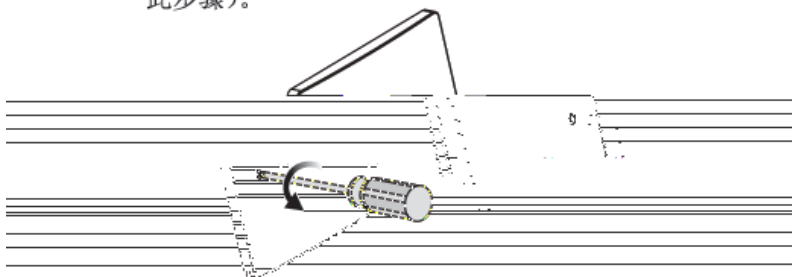
# MAP552



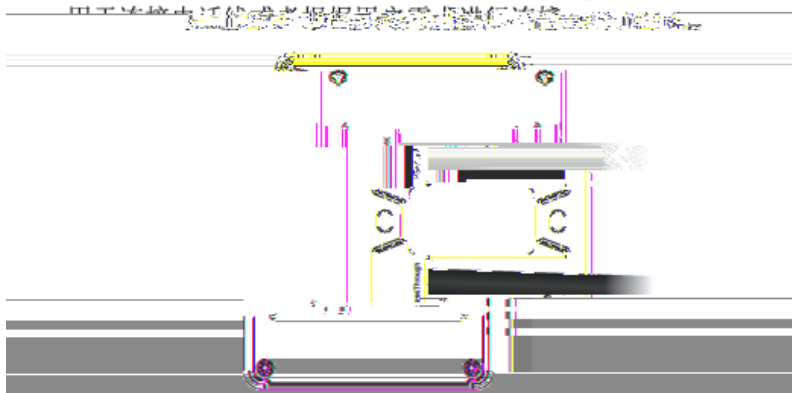
## MAP552-W

### RG-MAP552-W 的安装

第一步：用螺丝刀取下墙壁上的 86 面板盒（如果没有，则忽略此步骤）。



第二步：将上联数据线连接到 UpLNK 口，PassThrough 口可  
用于连接上联设备或根据用户需求进行连接。



第三步：将MAP552-W左右两边的螺丝孔对准86底盒里的螺丝



| AP



AP

2.5Hz AP  
0.25Hz 2s 2s AP  
MS 4 3.8s 0.2s  
AP MS  
(2.5Hz): LED ON





```

+
AP          AP          AP          AC
AP          AP          ruijie enable
apdebug
AP          AP  session slot slot-id          AP
AP          AP          debug
AP  show dvmg stae          AP

```

```

Ruijie#show dvmg state
show dvmg state
slot-id: 1, mac: 02:02:02:02:02:02, ip: 192.168.1.1, status: online, time: 2023-01-13 10:00:00, card: 1, run: 1
online 02:02:02 02:02:02 5860 6c14 b700 1 13 CARD RUN

```



```

+      AP      AP      AP  AP
      AP      AC      AP
FLASH      11.1 B9P2      AP      AP
      AP      AM5514&AM5528      AP(MAP552-W
MAP552\MAP552-S )      AC      AP      AP
AP      AP
Ruijie(config)# ac-controller
Ruijie(config-ac)# active-bin-file am5528.bin
Ruijie(config-ac)# active-bin-file map552s.bin
Ruijie(config-ac)# ap-image auto-upgrade

```

```

Ruijie#show tftp-server updating-list
IP Address      Interface      File Name      File Size      File Path

```



[www.ruijie.com.cn](http://www.ruijie.com.cn)

[www.ruijie.com.cn/service.aspx](http://www.ruijie.com.cn/service.aspx)

[support.ruijie.com.cn](http://support.ruijie.com.cn)

[webchat.ruijie.com.cn](http://webchat.ruijie.com.cn)

4008-111-000